

Frequently Asked Questions

YPL Series Cylindrical Indicator Lock



Q: Is the Yale Commercial indicator lock cylindrical or tubular?

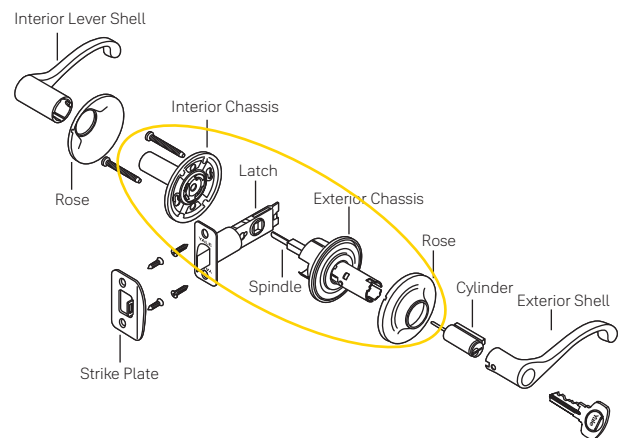
A: The indicator lock uses a cylindrical lock platform and is certified ANSI/BHMA Grade 1.

Q: What is the difference between a cylindrical lock and a tubular lock?

A: The difference between cylindrical and tubular is how they mount through the door.

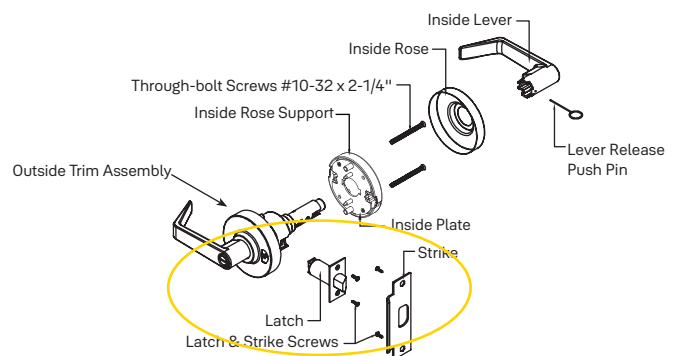
Tubular

- Latchbolt assembly extends thru the lockbody when installed
- Smaller lever return springs
- Limited functions available due to construction
- No through-bolting outside the 2-1/8" bore
- No latchbolt throw-off for privacy function
- Will not withstand excessive lever torque
- Typically perceived as less durable
- Typically used in residential, interior applications



Cylindrical

- Latchbolt assembly interlocks with one side of the lock chassis
- More robust spring cartridges
- Greater number of different functions available due to the lockbody construction
- Through-bolted, usually outside the 2-1/8" bore, to withstand higher lever torque
- Latchbolt throw-off is standard on privacy function, eliminating lock outs
- Typically, more heavy-duty type lock used in exterior/higher usage applications



Q: Does any other manufacturer offer a mechanical cylindrical indicator lock?

A: To our knowledge, no other manufacturer currently offers a mechanical indicator lock built on a cylindrical lock platform.

Q: What functions are available for the cylindrical indicator lock?

A: Currently the cylindrical indicator lock is available in a privacy function.

Frequently Asked Questions

YPL Series Cylindrical Indicator Lock

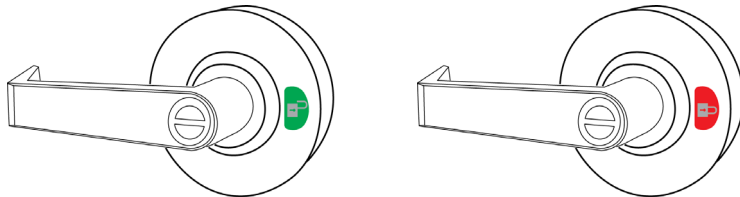


Q: Why is the padlock icon sitting sideways in the indicator window?

A: The padlocks are orientated in the sideways position to allow the lock to be non-handed and easily installed on doors of any handing.

Q: Are other colors available?

A: The locks are provided as a standard with red/green colors and white padlock icons. An unlocked door will display green with an open shackle padlock. A locked door will display red with a closed shackle padlock.



Other colors may be available by special application but will require minimum quantity orders and extended lead times.

Q: Is the cylindrical indicator lock ANSI/BHMA certified?

A: Yes. Locks with a 2-3/4" backset are ANSI/BHMA A156.2 Certified Grade 1. Locks with a 2-3/8" backset are ANSI/BHMA A156.2 Certified Grade 2.

Q: Is the cylindrical indicator lock fire rated?

A: Yes. Locks are UL/cUL Listed for use on 3-hour fire doors.

Q: Can the lock be used on an 1-3/8" thick door?

A: Yes, with the use of an optional adapter kit which includes spacers, the locks can be installed on a 1-3/8" thick door.

Q: Does the lock provide one motion to egress?

A: Yes. The privacy function meets ANSI function number F76A which dictates that the lock unlocks when rotating the inside lever. No other secondary actions are required to unlock the lock to exit the room.

Q: Is the indicator available on the inside of the door?

A: Currently, the indicator is available on the outside of the door.

Q: What is the condition of the outside lever when locked? Rigid or Freewheeling?

A: When locked, the outside lever is rigid. Freewheeling is not available.

Yale Locks & Hardware • 225 Episcopal Road, Berlin, CT 06037-4004 • Tel: 1-800-438-1951 • Fax: 1-800-338-0965 • www.yalecommercial.com

Yale Commercial is a business associated with ASSA ABLOY Access and Egress Hardware Group, Inc., an ASSA ABLOY Group company. Copyright © 2023, ASSA ABLOY Access and Egress Hardware Group, Inc. All rights reserved. Reproduction in whole or in part without the express written permission of ASSA ABLOY Access and Egress Hardware Group, Inc. is prohibited. Patent pending and/or patent www.assaabloydss.com/patents.